

Leddar™ Pixell

Cocoon LiDAR for Autonomous Vehicles



Robotaxis



Autonomous delivery vehicles



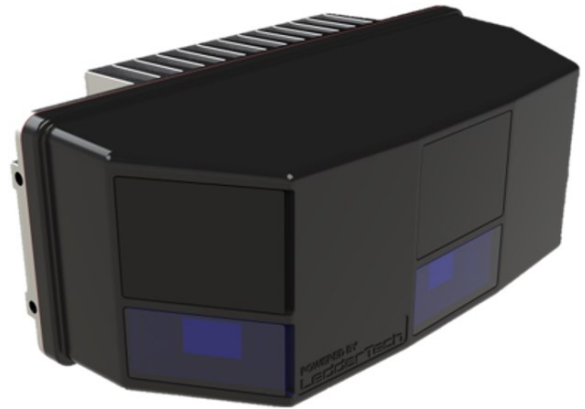
Commercial vehicles



Autonomous shuttles



Off-road vehicles



Overview

The Leddar Pixell is a 3D flash LiDAR with 180-degree field of view (FoV) specifically designed for ADAS and autonomous driving applications. Powered by the LeddarEngine™ LCA2, the Leddar Pixell provides reliable detection of pedestrians, cyclists and other obstacles in the vehicle's surroundings and is optimized for use in perception platforms that are meant to enhance detection capabilities of vulnerable road users (VRU). The robust, solid-state Pixell compensates for the limitations of mechanical scanning LiDARs used for geopositioning which generate blind areas that can reach several meters. The Pixell enables a comprehensive detection “cocoon” that surrounds the vehicle, enhancing detection coverage.

3D Cocoon LiDAR Technology

Using the latest in 3D flash LiDAR technology, the Pixell provides more scene coverage than most scanning LiDARs, which drastically reduces dead zones. Thanks to the Pixell's wide horizontal FoV, four sensors will cover the entire vehicle surroundings over 360 degrees and provide redundancy coverage in its corners. Data provided by Leddar Pixell allow for object tracking and identification of possible collisions based on object position, velocity and directionality without overwhelming the vehicle's CPU with massive amounts of unnecessary data.

Main Applications

- Proximity detection
- Blind spot coverage
- Collision avoidance
- Navigation

Superior Robustness and Reliability

Deployments of detection systems on any type of commercial or industrial vehicle require highly durable technologies to ensure high MTBF and to minimize downtime and operational expenditures, all the while ensuring reliable and secure vehicle operation.

Based on a robust, 100% solid-state LiDAR design with no moving parts for superior reliability, the heavy-duty Leddar Pixell LiDAR delivers superior lifespan and MTBF, which makes it ideally suited for ADAS and autonomous vehicle deployments in any operating domain, including public transport, construction, mining and military.

- 100% solid-state
- Meets stringent shock and vibration standards
- Wide operating temperature range
- IP67 rated enclosure
- Impact-resistant windows
- Automotive-grade connectors

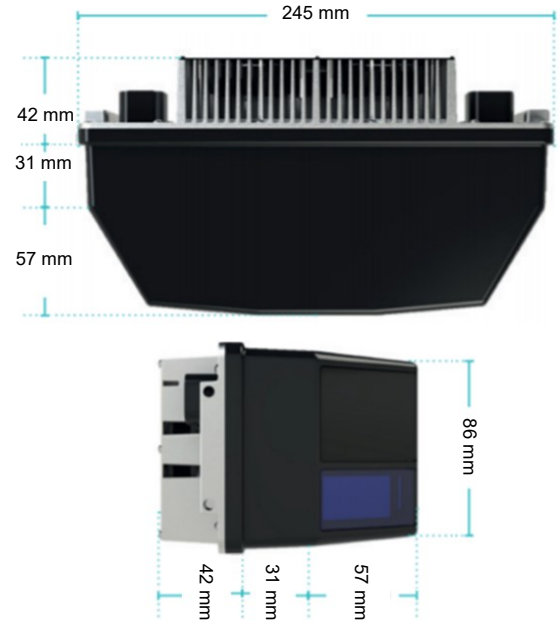
LeddarEngine™ at the Core

The Pixell has been designed using the state-of-the-art LeddarEngine LCA2, the powerful LiDAR core for automotive and mobility applications, leveraging LeddarTech's patented signal acquisition and processing and highly integrated LiDAR SoC.

Leddar Pixell Key Features

- Superior robustness, ideally suited for the most demanding commercial and industrial environments
- 96 horizontal and 8 vertical segments, providing 768 independent surfaces with simultaneous acquisitions
- 3D flash illumination technology, providing 8 times more vertical coverage than most scanning LiDARs
- Pedestrian detection range of up to 32 meters
- Ability to detect two objects within the same segment (demerging function)
- Wide operating temperature range
- Detailed Integration Guidelines provided, for a successful integration into the user's product

Specifications ¹	
Field of view ² (°)	Horizontal: 177.5 ± 2.5 Vertical: 16.0 ± 0.5
Surface size (°)	Horizontal: 1.9 Vertical: 2.0
Range ² (m)	Pedestrian ³ : 32 10% reflectivity ⁴ : 20 50% reflectivity ⁴ : 45 80% reflectivity ⁴ : 56
Accuracy ^{2, 5} (cm)	±3
Operating wavelength (nm)	905
Power supply (VDC)	11 to 52
Power consumption ⁶ (W)	20
Communication interface	Automotive Ethernet 100Base-T1
Data refresh rate (Hz)	20
Time synchronization Input sources	IEEE1588-2008 Precision Time Protocol External PPS (no embedded data)
Operating ambient temperature (°C)	-30 to +65
Weight (kg)	2.1



Regulatory Compliance	
Shock	IEC 60068-2-27:2008 (up to 100 G) ISO 16750-3:2003
Vibration	IEC 60068-2-64:2008 (up to 2.2 Grms) ISO 16750-3:2003
Dust	SAE J1455:2017
Ingress protection	IP67; IEC 60529:2013
Eye safety	IEC EN 60825-1 Class 1 US 21CFR1040
CE	Compliant
EMC	IEC/EN 61000-4-2, 3, 4, 6, 8 IEC/EN 61000-6-2, 3
RoHS	2011/65/EU amended 2015/863

Refer to the User Guide for more information on Leddar Pixell performances and limitations.

- ¹ Environmental conditions, weather and reflectivity level of elements in the scene may affect sensor performance.
- ² Typical specification.
- ³ Euro NCAP Pedestrian, 50% reflectivity.
- ⁴ Full pixel coverage.
- ⁵ Ambient test performance with 3 σ standard deviation. Non-saturated signal without crosstalk for non-merged events.
- ⁶ Nominal power consumption at +20 °C.

LeddarTech® has made every effort to ensure that the information contained in this document is accurate. Any information herein is provided “AS IS.” LeddarTech shall not be liable for any errors or omissions herein or for any damages arising out of or related to the information provided in this document. LeddarTech reserves the right to modify design, characteristics and products at any time, without notice, at its sole discretion.

LeddarTech does not control the installation and use of its products and shall have no liability if a product is used for an application for which it is not suited. You are solely responsible for (1) selecting the appropriate products for your application, (2) validating, designing and testing your application and (3) ensuring that your application meets applicable safety and security standards.

Furthermore, LeddarTech products are provided only subject to LeddarTech's Sales Terms and Conditions or other applicable terms agreed to in writing. By purchasing a LeddarTech product, you also accept to carefully read and to be bound by the information contained in the User Guide accompanying the product purchased.

LeddarTech®

CANADA – USA – AUSTRIA – FRANCE – GERMANY – ITALY – ISRAEL – HONG KONG – CHINA

Head Office

4535, boulevard Wilfrid-Hamel, Suite 240
Québec (Québec) G1P 2J7, Canada
leddarsensor.com

Phone: + 1-418-653-9000

Toll-free: 1-855-865-9900